

GSRA1



Self-Test Right Angle Plug-In GFCI, 15 Amp, 120 Volt, Automatic Reset

15 Amp, 120 VAC, Self-Test Automatic Reset Right Angle GFCI Plug (5-15P), Rainproof Design, Black

- Satisfies latest UL 943 self-test requirement
- Improve safety – protect critical personnel from electrical shocks
- Withstand outdoor conditions – rainproof and outdoor rated devices are OSHA compliant and feature weather-resistant SJTW cables
- Ideal for – vending machines, construction sites, RV parks, marinas, and spas/hot tubs
- Automatic reset – automatically restore power to connected equipment when plugged in or after power interruption, ideal for hard to access locations

UPC Code : 078477682715

Country Of Origin : China

RoHS Compliant : Yes



Technical Information

AC Horsepower Ratings

At Rated Voltage : 3/4 Horsepower

Electrical Specifications

Amperage : 15 A

Current Interrupting : 2 kA

Grounding : GFCI Ground Fault

Pole : 2

Trip Level : 5mA plus or minus 1mA

Voltage : 120 VAC

Wire : 3

Environmental Specifications

Flammability : Rated V-2 per UL 94

Operating Temperature : -35°C to 66°C

Material Specifications

Blades/Contacts : Brass

Body Material : Polycarbonate

Color : Black

Mechanical Specifications

Cord Range : .330 - .597

Product ID : Ratings permanently marked on device

Terminal Accom. : 18-12 AWG

Terminal ID : Brass-Hot, Green-Ground, Silver-Neutral

Product Features

Color : Black

NEMA : 5-15P

Standards and Certifications

ANSI : C-73

CSA C22.2 : File LR-57811

NEMA : WD-6

NOM : 057

UL 943 : Class A (GFCI)

UL Listed : E-48380

Patents*

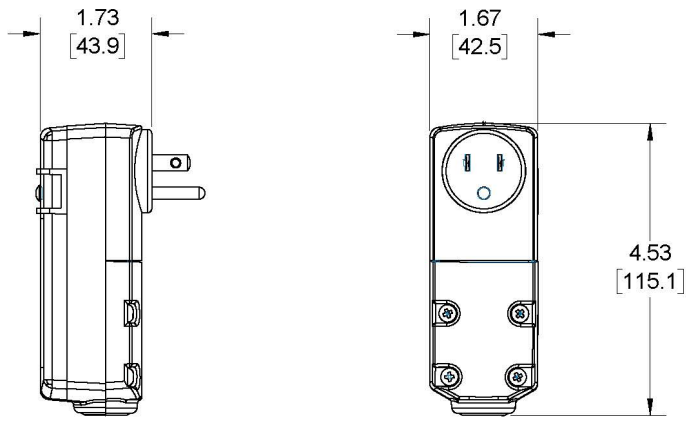
MX265718

US7436639

MX344697

US9276393

*This list is provided for patent marking purposes only. A good faith effort is made to maintain the accuracy and completeness of this list. No legal inference should be drawn from the omission of a patent from this list.



CATALOG: GSRA1

| | | | |
|---|--------------------------|--|-----------|
| UNLESS OTHERWISE SPECIFIED: DO NOT SCALE DRAWING. ALL DIMENSIONS ARE IN INCHES. ALL ANGLES ARE IN DEGREES. | | LEVITON | |
| TOLERANCES | | TITLE: SELF-TEST RIGHT ANGLE GFCI 15AMPS, 120V, 60Hz | |
| INCH | METRIC | DWG NO. CATSTD-GSRA1-XXX | |
| .XX ± .01 .XXX ± .005 | X ± .2 mm .XX ± .1 mm | SIZE A | SCALE:1:2 |
| ANGLES: ± 1/2° | | SHEET 1 OF 1 | |
| THIRD ANGLE PROJECTION | | REV 1 | |
| ALL PRINTED COPIES ARE UNCONTROLLED | | Copyright 2020. Unpublished. All Rights Reserved. | |

SPECIFICATION SUBMITTAL

| | | |
|-------------------------------------|--|----------------------|
| JOB NAME: <input type="text"/> | CATALOG NUMBERS: <input type="text"/> | |
| JOB NUMBER: <input type="text"/> | <input type="text"/> | <input type="text"/> |

Leviton Manufacturing Co., Inc.
 201 North Service Road, Melville, NY 11747
 Telephone: +1-800-323-8920 · FAX: +1-800-832-9538 · Tech Line (8:30AM-7:30PM E.S.T. Monday-Friday):
 +1-800-824-3005

Leviton Manufacturing of Canada, Ltd.
 165 Hymus Boulevard, Pointe Claire, Quebec H9R 1E9 · Telephone: +1-800-469-7890 ·
 FAX: +1-800-824-3005 · www.leviton.com/canada

Leviton S. de R.L. de C.V.
 Lago Tana 43, Mexico DF, Mexico CP 11290 · Tel.: (+52)55-5082-1040 · FAX: (+52)5386-
 1797 · www.leviton.com.mx

Visit our Website at: www.leviton.com
 © 2021 Leviton Manufacturing Co., Inc. All Rights Reserved. Subject to change without notice.

Leviton has a global presence.
 If you would like to know where your local Leviton office is located please go to:
www.leviton.com/international/contacts/

